



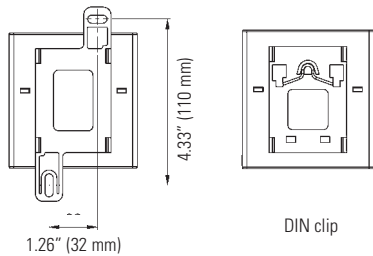
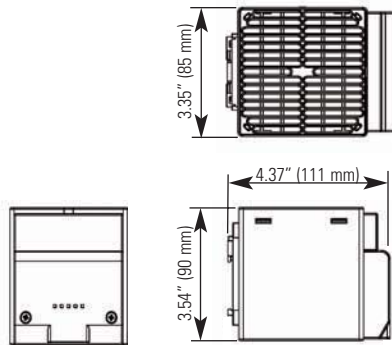
- Compact size**
- Quiet operation**
- Heating power adjusts to ambient temperature**
- DIN rail or screw mount available**

The CSL 028 fan heater prevents formation of condensation and provides an evenly distributed interior air temperature in enclosures. The heater is connected using the internal terminal connectors. The surface temperatures on the accessible side surfaces of the housing are minimized as a result of the heater design. The CSL 028's small size make it ideal for use in enclosures where space is at a premium.



Technical Data

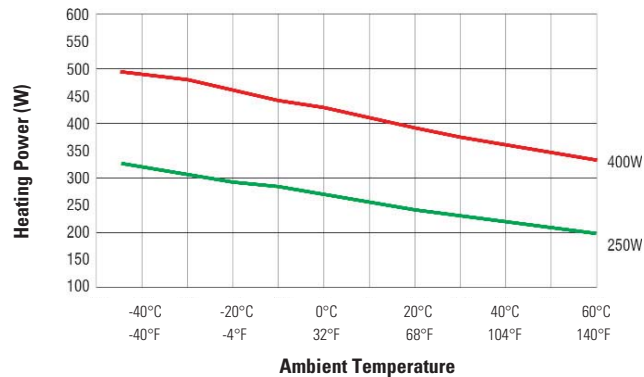
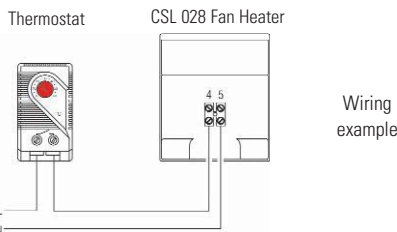
Heating element	PTC resistor - temperature limiting
Surface temperature	250W: max. 122°F (50°C) except upper protective grill 400W: max. 149°F (65°C) except upper protective grill measured at 68°F (20°C) ambient temperature
Axial fan, ball bearing	service life 40,000h at 104°F (40°C)
Air flow, free blowing	32 cfm (54 m³/h) at 120 VAC; 26 cfm (45 m³/h) at 230VAC
Connection	2-pole terminal AWG 14 max. (2.5mm²) with strain relief, screw torque 0.8Nm max.
Mounting	clip for 35mm DIN rail, EN 60 715 or screw mount
Housing	plastic, UL 94V-0, black
Weight	approx. 17.6 oz. (500g)
Mounting position	vertical
Operating / Storage temperature	-49 to +158°F (-45 to +70°C)
Protection class	II (double insulated)
Protection type	IP20



1.26" (32 mm)

Screw mount

View: back side



Part No.	Heating capacity ¹⁾	Operating voltage	Max. current (inrush)	Dimensions	Mounting	Approvals
02810.0-00	400W	230VAC, 50/60Hz	15A	3.54 x 3.35 x 4.37" (90 x 65 x 111mm)	DIN clip	UL submitted, VDE
02810.0-01	400W	230VAC, 50/60Hz	15A	5.08 x 3.35 x 4.37" (129 x 65 x 111mm)	Screw mount	UL submitted, VDE
02810.9-00	400W	120VAC, 50/60Hz	9A	3.54 x 3.35 x 4.37" (90 x 65 x 111mm)	DIN clip	UL submitted
02810.9-01	400W	120VAC, 50/60Hz	9A	5.08 x 3.35 x 4.37" (129 x 65 x 111mm)	Screw mount	UL submitted
02811.0-00	250W	230VAC, 50/60Hz	9A	3.54 x 3.35 x 4.37" (90 x 65 x 111mm)	DIN clip	UL submitted, VDE
02811.0-01	250W	230VAC, 50/60Hz	9A	5.08 x 3.35 x 4.37" (129 x 65 x 111mm)	Screw mount	UL submitted, VDE
02811.9-00	250W	120VAC, 50/60Hz	6A	3.54 x 3.35 x 4.37" (90 x 65 x 111mm)	DIN clip	UL submitted
02811.9-01	250W	120VAC, 50/60Hz	6A	5.08 x 3.35 x 4.37" (129 x 65 x 111mm)	Screw mount	UL submitted

¹⁾ at 68°F (20°C) ambient temperature

Specifications are subject to change without notice. Suitability of this product for its intended use and any associated risks must be determined by the end customer/ buyer in its final application.