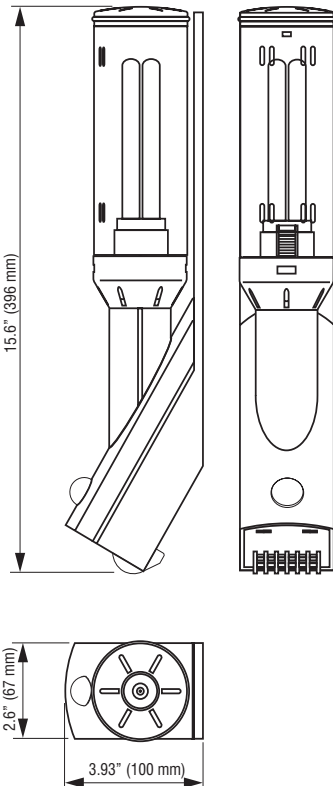




Light with on/off switch

Light with motion sensor



Versatile – base lamp or hand lamp

Long-life energy saving lamp

On/off switch or motion sensor

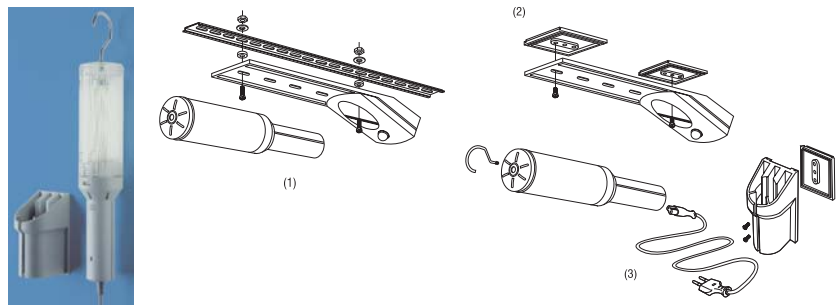
The DL 026 dual light is available with on/off switch or motion sensor (the motion sensor version was designed to eliminate the need for a door switch). The lamp is removable from its base and, with the use of an optional additional power cord, can be used as a hand lamp. This versatile light was also designed to include a variety of mounting options.



Technical Data

Power consumption	20W (~ 100W incandescent bulb)
Luminosity	1000Lm
Lamp type	compact fluorescent, E27 base, electronic ballast
Service life	10,000 hrs.
Switch	on/off push switch or PIR motion sensor ¹⁾
Connection	6-pole terminal, AWG 14 max (2.5 mm ²) - torque 0.5Nm max. for hard wiring of 1 light or 2 lights in parallel
Housing	plastic, UL 94V-0, light grey
Standard mounting (included)	screw mounting on 35mm DIN rail or sheet metal
Optional mounting	with self-adhesive or magnet mounting plates (see below)
Mounting position	variable
Operating temperature	-4 to +122°F (-20 to +50°C)
Storage temperature	-49 to +158°F (-45 to +70°C)
Weight	approx. 1.3 lbs. (600g)
Protection class	II (double insulated)
Protection type	IP20
Accessories	see below

¹⁾ The Passive Infrared (PIR) motion sensor detects the motion of the enclosure door being opened and automatically turns on the light. The sensor is factory pre-set to turn the light off 3 minutes after all motion ceases. The motion sensor does not detect movement through glass, allowing for installation in enclosures with glass doors.



- (1) Standard screw mounting to DIN rail
- (2) 2 self-adhesive (Part No. 09515.0-00) or magnet (Part No. 09516.0-00) mounting plates
- (3) Self-adhesive light holder with hook and 6 ft. power cord (230VAC - Part No. 03410.0-00, 120VAC - Part No. 03411.0-00). By using the holder/power cord kit, the light can be used as a hand lamp.

Part No.	Operating voltage	Switch type
02600.0-00	230VAC, 50/60Hz	on/off
02600.9-00	120VAC, 50/60Hz	on/off
02601.0-00	230VAC, 50/60Hz	motion sensor
02601.9-00	120VAC, 50/60Hz	motion sensor

Specifications are subject to change without notice. Suitability of this product for its intended use and any associated risks must be determined by the end customer/ buyer in its final application.