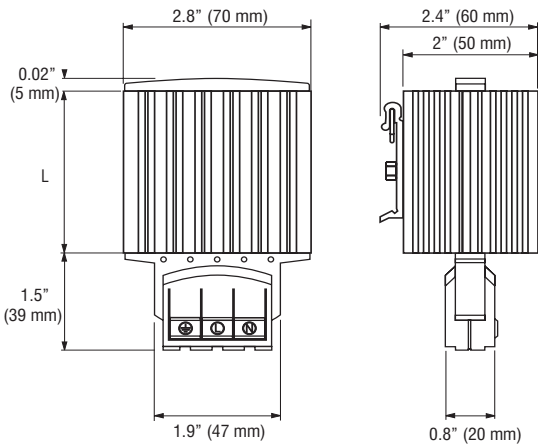




- Compact size**
- Wide voltage range**
- Heating power adjusts to ambient temperature**
- Cage clamp connectors for quick & easy wiring**
- DIN rail mountable**

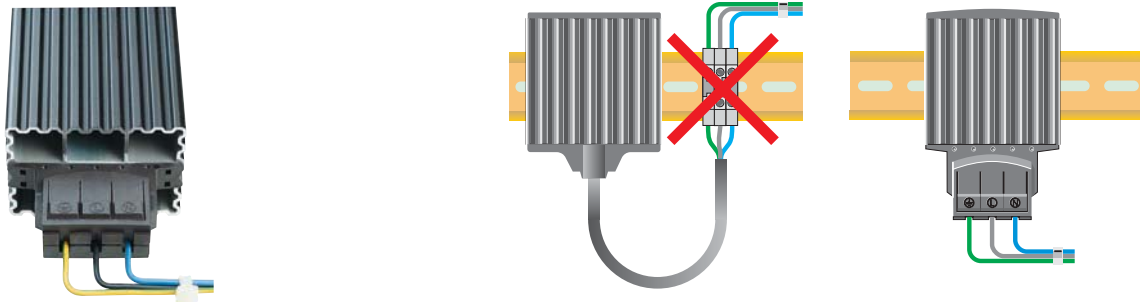
These heaters are used in enclosures where damage from condensation must be prevented, or where the temperature must be maintained above a minimum value. The aluminum profile heater body design has a chimney effect to distribute heat evenly. The cage clamp connectors save time and simplify installation.



Technical Data

Operating voltage	120-240V AC/DC* (min. 110V, max. 265V)
Heating element	PTC resistor - temperature limiting
Heater body	extruded aluminum profile, anodized
Connection	3 cage clamps for solid wire AWG 20-14 (0.5-2.5mm ²), and stranded wire AWG 20-16 (0.5-1.5mm ²) with wire end ferrule
Connection casing	plastic, UL 94V-0, black
Mounting	clip for 35mm DIN rail, EN 60 715
Mounting position	vertical
Operating / Storage temperature	-49 to +158°F (-45 to +70°C)
Protection class	I (grounded)
Protection type	IP20
Approvals	UL File No. E150057, VDE
Note	other voltages available upon request

*Operating with voltages below 140V AC/DC reduces heating performance by approx. 10%.



Part No.	Heating capacity ¹⁾	Max. current (inrush)	Length (L)	Weight (approx.)
14000.0-00	15W	1.5A	2.6" (65mm)	10.6 oz. (300g)
14001.0-00	30W	3.0A	2.6" (65mm)	10.6 oz. (300g)
14003.0-00	45W	3.5A	2.6" (65mm)	10.6 oz. (300g)
14005.0-00	60W	2.5A	5.5" (140mm)	14.1 oz. (400g)
14006.0-00	75W	4.0A	5.5" (140mm)	17.6 oz. (500g)
14007.0-00	100W	4.5A	5.5" (140mm)	17.6 oz. (500g)
14008.0-00	150W	9.0A	8.7" (220mm)	24.7 oz. (700g)

¹⁾ at 68°F (20°C) ambient temperature

Specifications are subject to change without notice. Suitability of this product for its intended use and any associated risks must be determined by the end customer/ buyer in its final application.